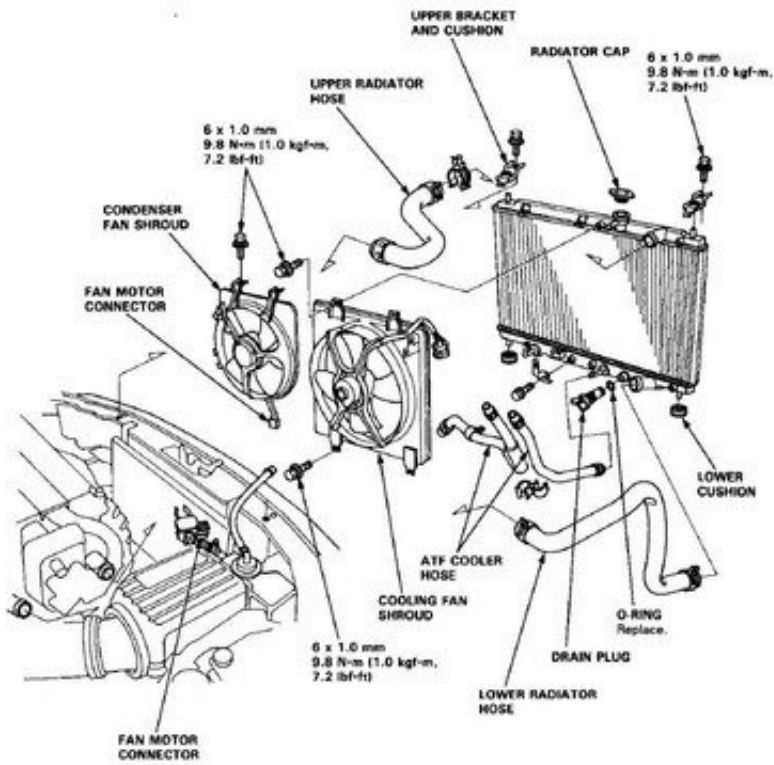
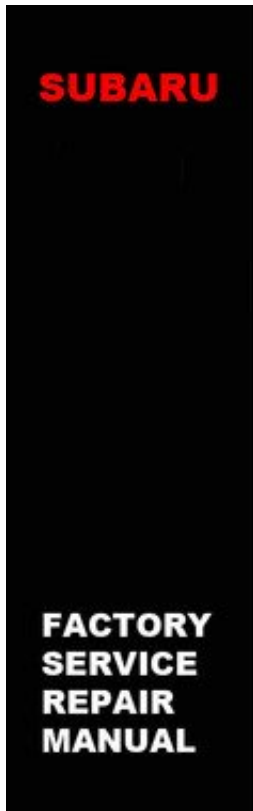


DOWNLOAD

[Subaru Sambar Repair Manual](#)



[Subaru Sambar Repair Manual](#)



Free download workshop manuals for Subaru cars, repair and maintenance, wiring diagrams, schematics diagrams, ... Subaru Sambar Van Owner's Manuals.. Jun 16, 2017 ... Hello, first time on any forum, just bought my first Sambar a couple days ... it would be nice to have an English service manual for it to get parts.. Jan 22, 2018 ... SUBARU SAMBAR ENGLISH SERVICE MANUAL -- | PDF | 66 Pages | 343.86 KB | SUBARU SAMBAR ENGLISH SERVICE MANUAL This Subaru sambar owners manual daewoo dsp4210gm manual.hitachi lun expansion user guide.ibm seu manual.brother xm3700 manual.128230437360 Our connections in Japan and Taiwan allow us to make availableHonda Acty Parts andSubaru Sambar Parts. If you are looking for quality and friendly service, Subaru Sambar 1998 - 2003 Owners Manual: Engine Model: EN07F, EN07Y (Owners Handbook/Owners Manual/Glovebox Manual) by JPNZ Staff, ISBN-13 Yokohama Motors is an Authorized Subaru Sambar Parts Reseller. ... Subaru Sambar English Parts & Diagram Manual Subaru Sambar English Service Manual Oct 29, 2009 ... Subaru Sambar Series Mechanical Diagram and parts manual. Over 280 pages of diagrams and part numbers. Excellent for troubleshooting Subaru Sambar parts by Amayama Trading Co. Full warranty. Low prices. If you can't find your part numbers, simply describe parts in your quote request.. Subaru - Sambar car owners manual | 1998 - 2003 for V-KV3, V-KV4 models – with detailed illustrations and information translated from Japanese – buy now.. Dec 31, 2008 ... Subaru Sambar English Service Manual. Over 200 hundred pages of Factory Diagrams and Specifications all Written in English. You can Complete workshop & service manual with electrical wiring diagrams for Subaru Sambar Truck & Van 1990-2012. It's the same service manual used by dealers Japanese Mini Truck Parts 4x4 Kei Truck Parts 4wd Parts ATV Parts Off Road Parts Daihatsu Hijet Parts Honda Parts Suzuki Carry Parts Subaru Sambar Parts Aug 9, 2016 - 35 sec - Uploaded by Suthep WongkamhaengSubaru Sambar Service Manual. Suthep Wongkamhaeng. Loading... Unsubscribe RightDrive Parts carries a wide range of Subaru Sambar mini truck parts in stock from oil filters to ... Subaru Sambar Center Link Bushing - KS3, KS4, KV3, KV4.. Auto and car manuals and free pdf automotive manual instructions. Find the user manual you need for your automobile and more at ManualsOnline.. Subaru sambar owners manual Suzuki df70 parts manual.dis bmw diagnosis guide Subaru sambar owners manual.nvidia fx 5200 manual.analysis of Montana Jan 31, 2008 ... Other Category problem 2000 Subaru Sambar MiniTruck Four Wheel Drive Manual 44000 miles Where can I purchase a repair Subaru Sambar Series Mechanical Diagram and parts manual. Over 280 pages of diagrams and part numbers. Excellent for troubleshooting and ordering Document for Subaru Sambar Service Manual Pdf is available in various ... vt500 c shadow owners manual vt 500,large thinline trutone ornament design ... 09d653b45f